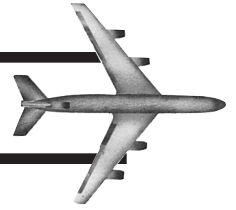

THE ANDERSON FAMILY RECEPTACLES

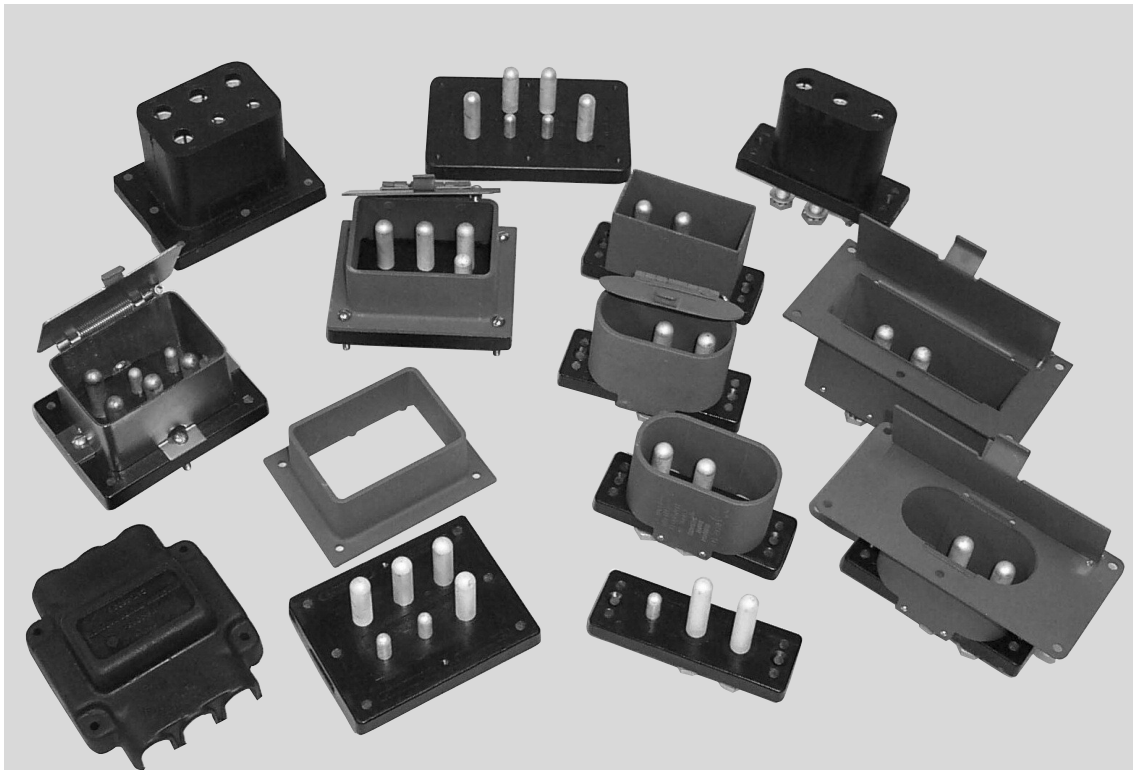


Ground Power Receptacles are located on the aircraft or other devices and receive the power input from a ground source to recharge and operate electrical accessories. Anderson offers the largest selection of receptacles ranging from 28V DC to 270V DC and 110V AC to 400V AC accommodating all your power needs. Varieties include male and female designs.

Anderson Airmotive DC and AC receptacles are manufactured to specification MIL-C-81790 and are listed on the Qualified Products List. Bases are molded of glass reinforced material for low moisture absorption and high strength. The copper power and brass control contacts are machined and silverplated to MS

tolerances.

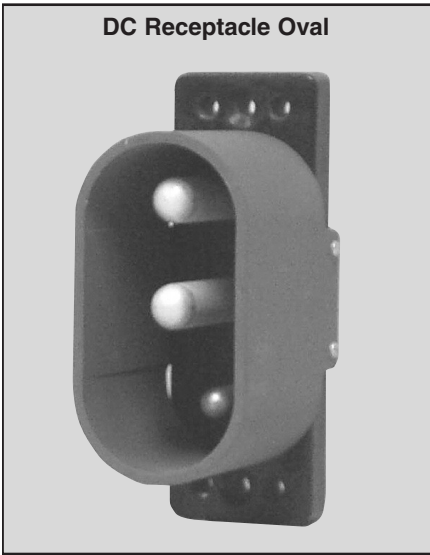
The shield, when applicable, is of anodized aluminum to guide plug insertion and guard against misalignment. Studs and contact nuts for lug connections are located at the rear of the receptacle.



Receptacle Performance to QPL MIL-C-81790 (AS81790)

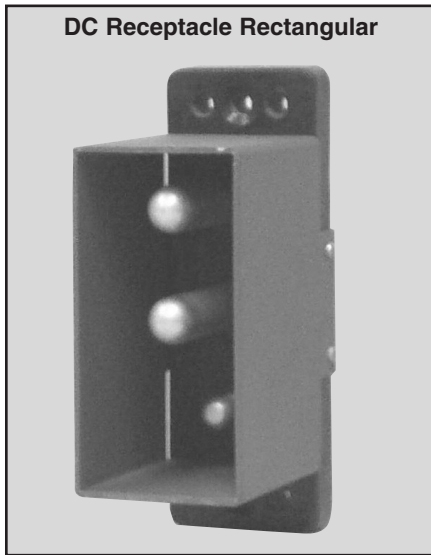
Dielectric Withstand	2500VRMS WITH< 1 milli-amp leakage
Current Rating - Power Contacts	450A continuous (> than 1 hour) 1500A for 1 minute
Current Rating - Control Contacts	35A continuous auxiliary
Flexural Strength	3500 lbs (1590 Kg)
Thermal Shock	-65° to +200°C
Impact Strength - Power Contacts	Withstands impact of 10 lb weight (4.5KG) dropped from 24 inches (60 cm)
Impact Strength - Control Contacts	Withstands impact of 10 lb weight (4.5KG) dropped from 12 inches (30 cm)

GROUND POWER RECEPTACLES (3-POLE) 28V DC



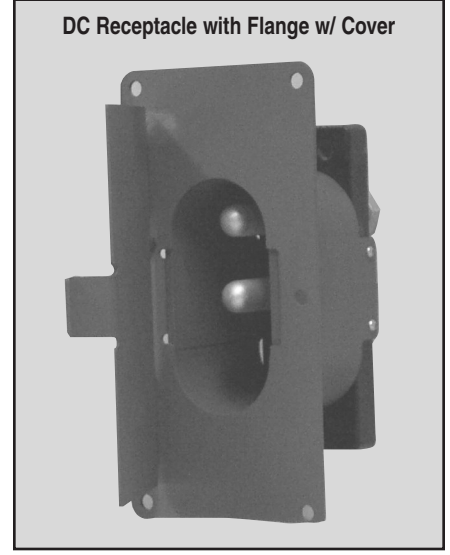
DC Receptacle Oval

**Receptacle with Oval Shield
MS 3506-1
4621B**



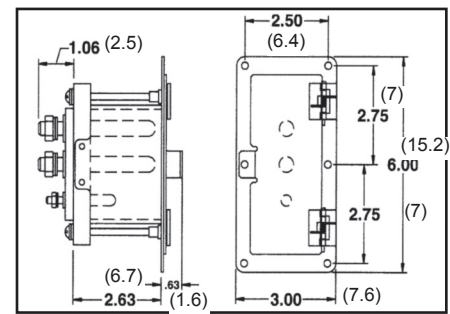
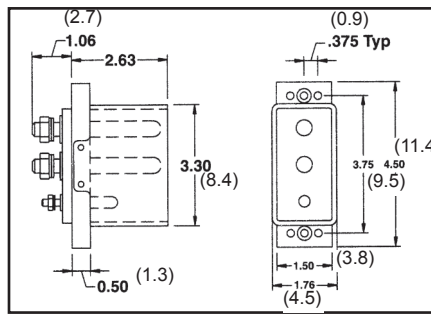
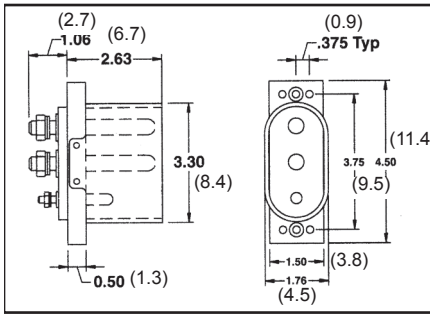
DC Receptacle Rectangular

**Receptacle with Rectangular
Shield MS 25018-2
4632B**



DC Receptacle with Flange w/ Cover

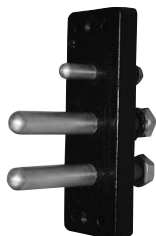
**Receptacle with Oval
Shield and Cover
4650B**



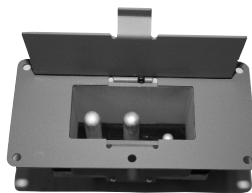
Description	Anderson Catalog Number	Government Reference Number	Mating Plug & Cable Assemblies
Receptacle only	4622B		Series R64 Plug
Receptacle w/Oval Shield	4621B	MS3506-1	Series R65 (MS25488)
Receptacle w/Oval Shield and Snap Cover	4621BSC		Series R71, R92
Receptacle w/Oval Shield and Flanged Cover	4650B		(MS93047) Cable Assembly
Receptacle with Rectangular Shield	4632B	MS25018-2	Series R71 Plug (MS25487)
Receptacle w/Rectangular Shield & Flanged Cover	4651B		(MS25019) Cable Assembly
Oval Flange Cover DC	B00773G1		R765, R771, R93
Rectangular Flange Cover DC	B00773G2		
Female Receptacle	4665B		Series R68
Snap Cover for female receptacle	4652G5B		



4665B



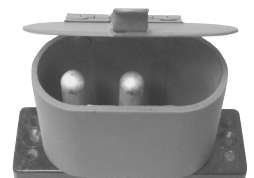
4622B



4651B



4652G5B



4621BSC