

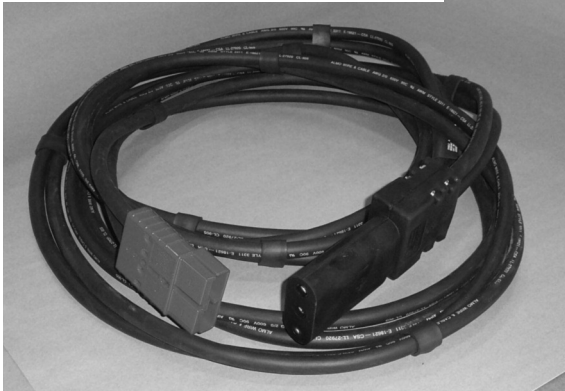
**ANDERSON AIRMOTIVE CAN ENGINEER SOLUTIONS
TO YOUR SPECIAL POWER CONNECTION REQUIREMENTS**



MS 3108 with R67G11E



**28V DC Helicopter Plug
250 MCM R83, R84**



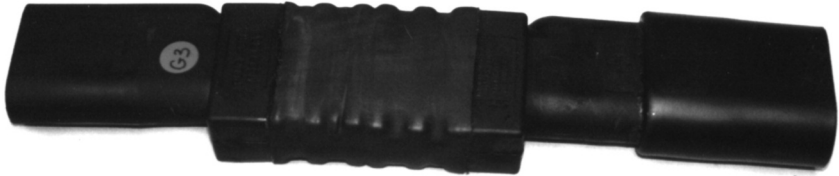
**R65 with SB Anderson Power Products
Battery Connector**



R65G3E with R125 BATTERY PLUG

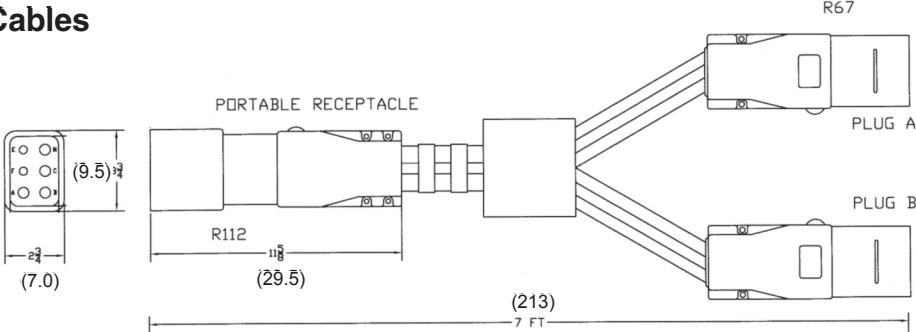


MS 27285 Male with MS25486 PLUG



Lear Jet Adapter: Female/Male Jumper Order: R68G3ER65-0

“Y” Cables



AC + DC “Y” available designed so that both output plugs have to be plugged in to power up. AC Part # R112GxxER67GS2-7A; DC Part # R68GxxER65-GS2-7A