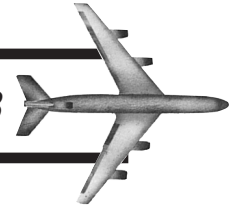


AC, DC QuickBreakaway® QB

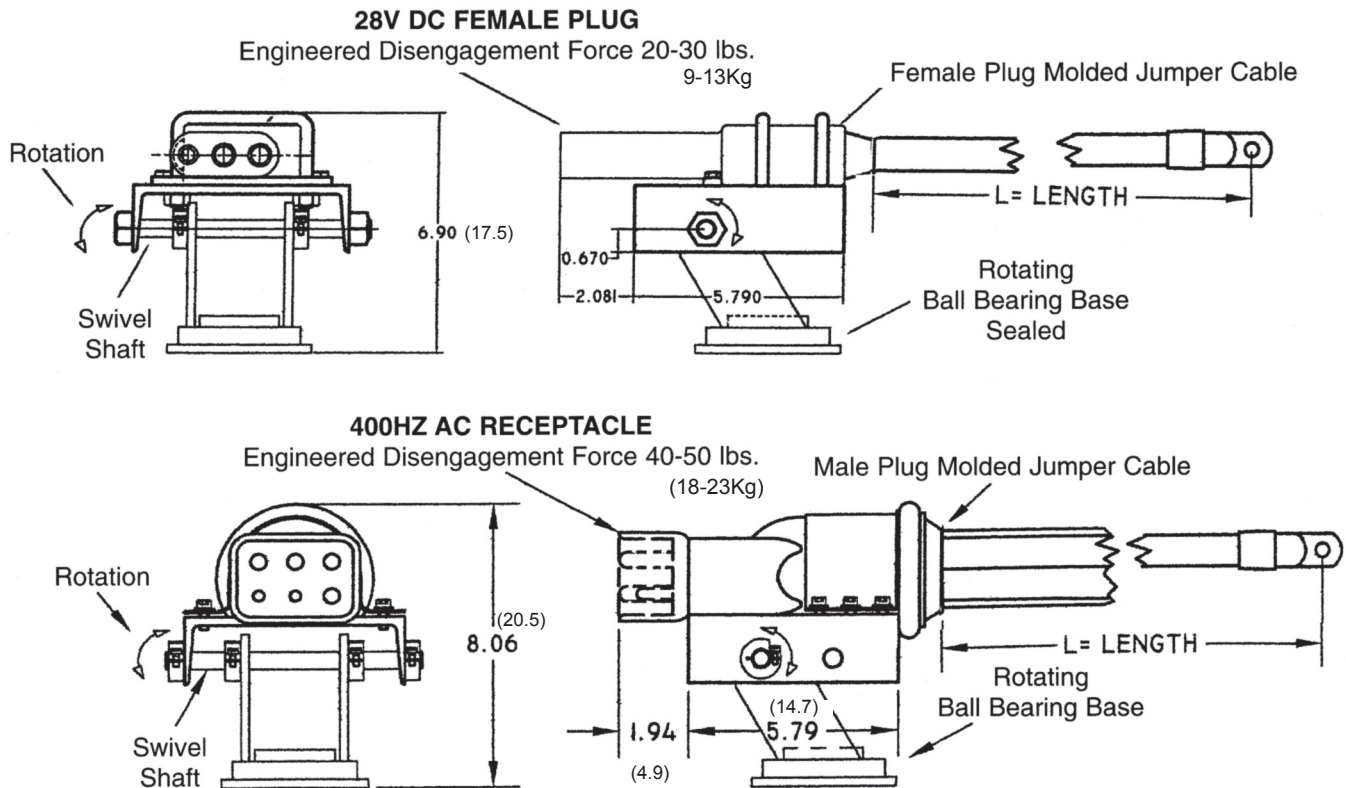


Principle:

The QuickBreakaway® is designed to disconnect the power cord from the source (GPU or Bridge) without damage to the equipment if operators fail to disconnect the power cable.

Operation:

The QB is a rugged ball bearing swivel assembly that rotates the male or female plug jumper cable 360° in the direction of pull. The male-female configuration is designed to disconnect at about 50% of the normal disconnect force; thus, the connection will break at the QB assembly on the power source if the plug is not disengaged at the plane.



Installation:

The QB can easily be installed on a GPU or on a bridge through the mounting holes in the base. Adaptors are available for mounting. The jumper assembly hooks up to the power source output with terminal lugs and is customized for length based on the application.

The power cable will require two female connectors or a male-female depending on configuration; one connector plugs into the QB and the other provides power to the plane.

		DC	AC
Order Information:	A. 360° Swivel Base	QB-DC	(1) QB-AC (2) QD-AC
	360° Swivel Base w Spacer	QB-DCS	(1) QB-ACS (2) QD-ACS
B. QB Jumper	Male	R68GxxEQB-xM	R112GxxEQB-xM
	Female	R65GxxEQB-xM	R67GxxEQB-xM
C. QB Cable Assy	Double Female	R65GxxE-2-xM	R67GxxE-2-xM
	Male/Female	R68GxxEQBR65-xM	R112GxxEQBR67-xM

(1) For overhauled plugs (2) For Attachable® plugs

® QuickBreakaway (QB) is a registered trademark of Anderson Airmotive Products Co., Inc.

NEW

QuickBreakaway® (QB) AC;DC

NEW

Principle:

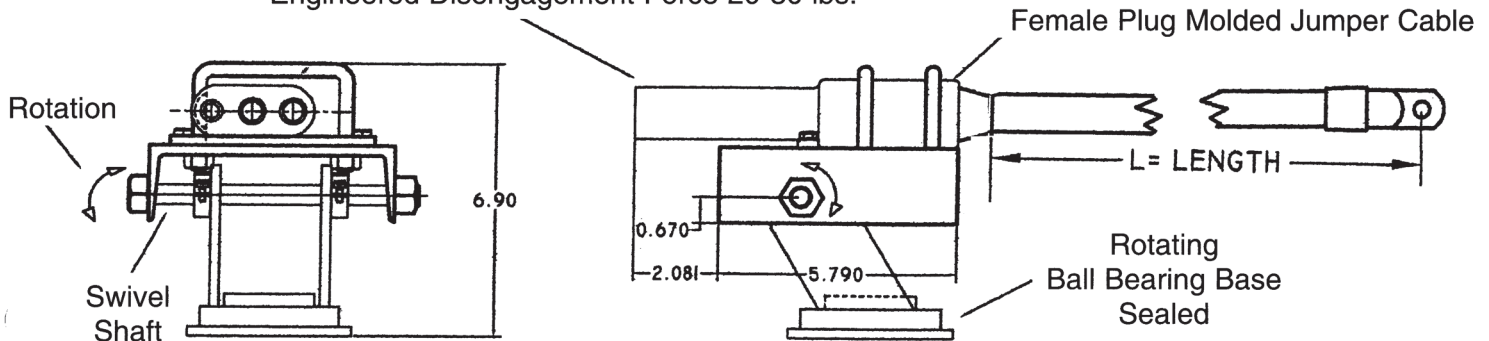
The QuickBreakaway is designed to disconnect the power cord from the source (GPU or Bridge) without damage to the equipment if operators fail to disconnect the power cable.

Operation:

The QB is a rugged ball bearing swivel assembly that rotates the male or female plug jumper cable 360° in the direction of pull. The male-female configuration is designed to disconnect at about 50% of the normal disconnect force; thus, the connection will break at the QB assembly on the power source if the plug is not disengaged at the plane.

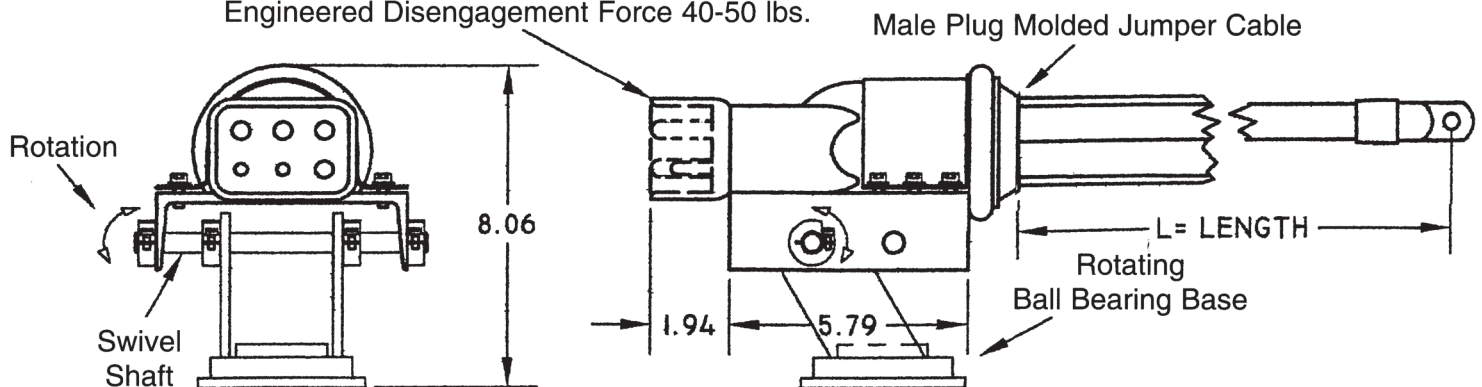
28V DC FEMALE PLUG

Engineered Disengagement Force 20-30 lbs.



400HZ AC RECEPTACLE

Engineered Disengagement Force 40-50 lbs.



Installation:

The QB can easily be installed on a GPU or on a bridge through the mounting holes in the base. Adaptors are available for mounting. The jumper assembly hooks up to the power source output with terminal lugs and is customized for length based on the application.

The power cable will require two female connectors or a male-female depending on configuration; one connector plugs into the QB and the other provides power to the plane.

® QuickBreakaway (QB) is a registered trademark of Anderson Airmotive Products Co., Inc.

ANDERSON AIRMOTIVE PRODUCTS Co., Inc.
994 Jefferson Street, Fall River, MA 02721 • Tel (508) 646-0950 / Fax (508) 646-0966
E-mail: sales@andersonairmotive.com • www.andersonairmotive.com