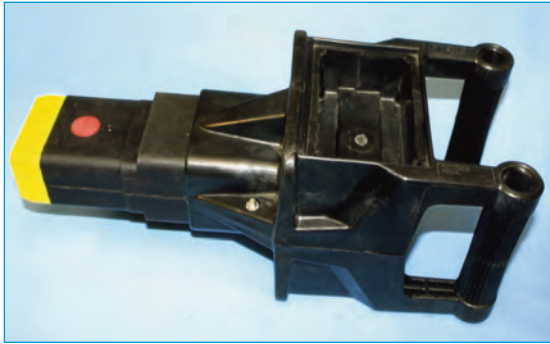


**NEW**

**NEW**

# Anderson Airmotive Handles for Ground Power Sockets

## AC Plastic Handle

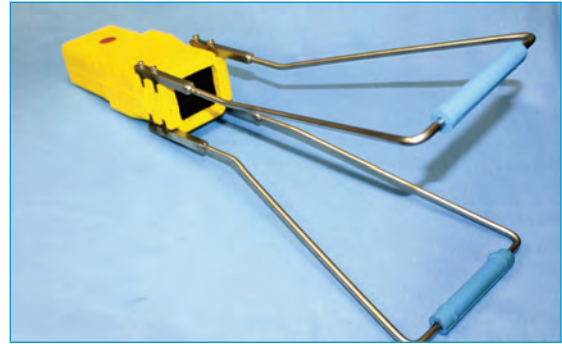


30G1

Fabricated from a unique lonomer material, the handle combines light weight (2 lbs/1kg) with exceptional impact characteristics. It is impervious to typical aircraft fluids such as jet fuel, skydrol, glycol and water.

The design offers protection for the power connector and a convenient hand grip to make engaging and disengaging easier. This helps reduce strain on the connector due to mishandling. An outer flange prevents the connector from laying on the ground, reducing abrasion of the connector and potential danger in wet locations.

## AC Metal Handle



30G9

The design offers protection for the power connector and a convenient hand grip to make engaging and disengaging easier. This helps reduce strain on the connector due to mishandling.

The metal handle with over molded grip is made for Attachable® as well as over molded sockets.

## DC Handle and Strain Relief



120012 G1M

The DC Handle and Strain Relief design offers protection for the power connector and provides a convenient hand grip to make engaging and disengaging easier. This helps reduce strain on the connector due to mishandling.

DC handle comes with plastic or metal handles.

**ANDERSON AIRMOTIVE PRODUCTS Co., Inc.**

994 Jefferson Street, Fall River, MA 02721 • Tel (508) 646-0950 / Fax (508) 646-0966

E-mail: [sales@andersonairmotive.com](mailto:sales@andersonairmotive.com) • [www.andersonairmotive.com](http://www.andersonairmotive.com)

® Eco-Nose is a registered trademark of Anderson Airmotive Products Co., Inc.

® Attachable is a registered trademark of Anderson Airmotive Products Co., Inc.

---

# ANDERSON ATTACHABLE® AC/DC HANDLE

---

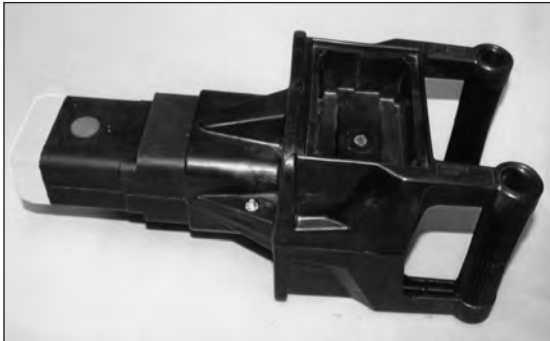


## ATTACHABLE® HANDLE

### FOR 400 HZ. GROUND POWER CONNECTORS AND 28VDC

- **CONVENIENT**
- **LIGHTWEIGHT CLAM SHELL DESIGN**
- **COMPATIBLE WITH ALL COMMERCIAL AIRCRAFT**
- **ACCEPTS SINGLE-JACKETED CABLE or Multiconductors**

#### AC Plastic Handle

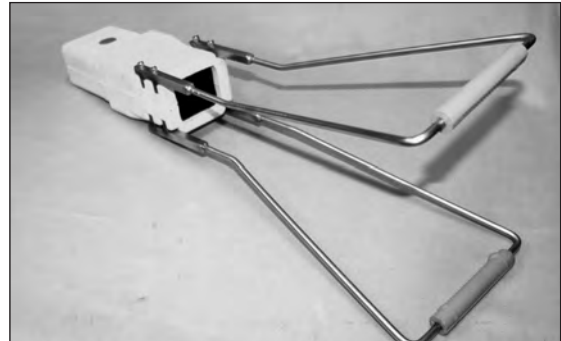


30G1

Fabricated from a unique lonomer material, the handle combines light weight (2 lbs/1kg) with exceptional impact characteristics. It is impervious to typical aircraft fluids such as jet fuel, skydrol, glycol and water.

The design offers protection for the power connector and a convenient hand grip to make engaging and disengaging easier. This helps reduce strain on the connector due to mishandling. An outer flange prevents the connector from laying on the ground, reducing abrasion of the connector and potential danger in wet locations.

#### AC Metal Handle



30G9

The design offers protection for the power connector and a convenient hand grip to make engaging and disengaging easier. This helps reduce strain on the connector due to mishandling.

The metal handle with over molded grip is made for Attachable® as well as over molded sockets.

#### DC Handle and Strain Relief



120012 G1M

The DC Handle and Strain Relief design offers protection for the power connector and provides a convenient hand grip to make engaging and disengaging easier. This helps reduce strain on the connector due to mishandling. DC handle comes with plastic or metal handles.

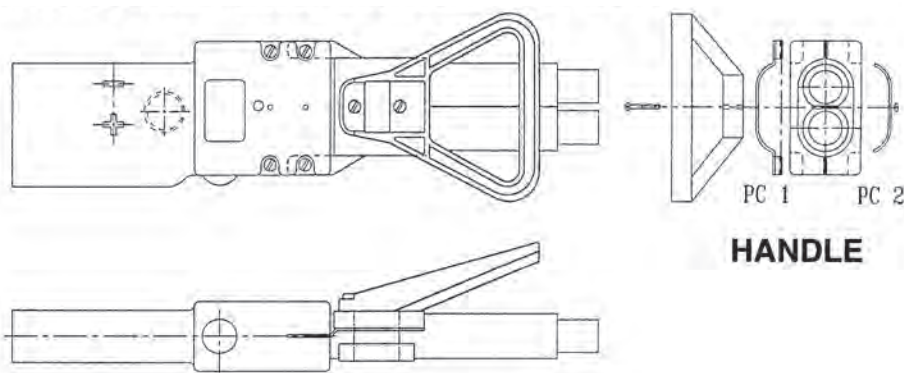
**NEW**

**NEW**

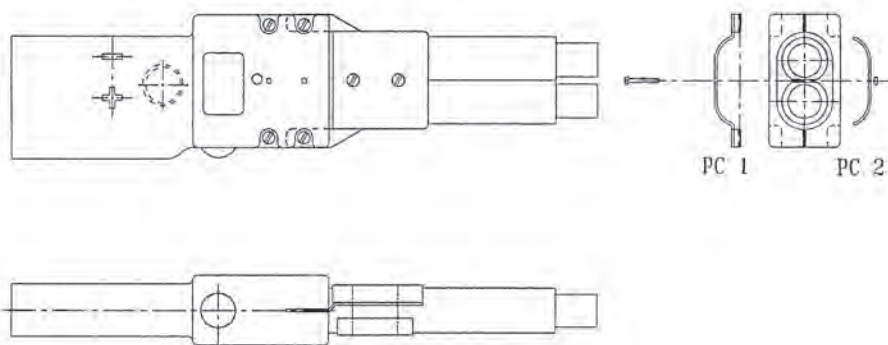
## DC Strain Relief and Handle



### DC Strain Relief and Handle on R65



### DC Strain Relief on R65



### Order Information:

Strain Relief Kit: Part No. — 120012G1

Handle: Gray Polycarbonate Plastic Part No. — HDLG

Red Polycarbonate Plastic Part No. — HDLR

Insulated non-corrosive steel Part No. — HDLM

**ANDERSON AIRMOTIVE PRODUCTS Co., Inc.**

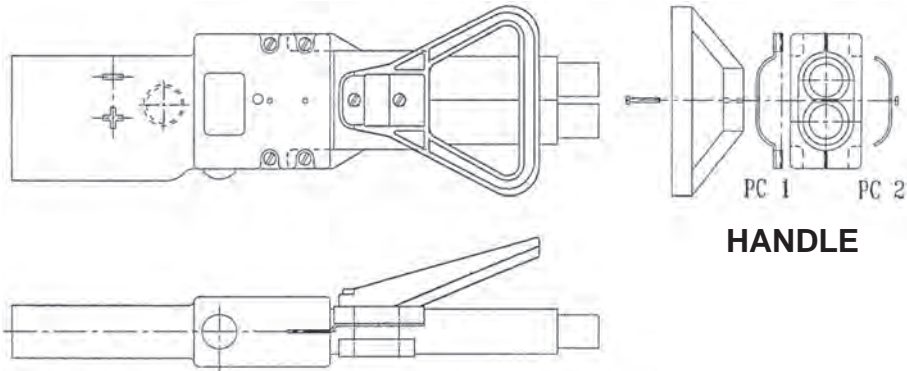
994 Jefferson Street, Fall River, MA 02721 • Tel (508) 646-0950 / Fax (508) 646-0966

E-mail: [sales@andersonairmotive.com](mailto:sales@andersonairmotive.com) • [www.andersonairmotive.com](http://www.andersonairmotive.com)

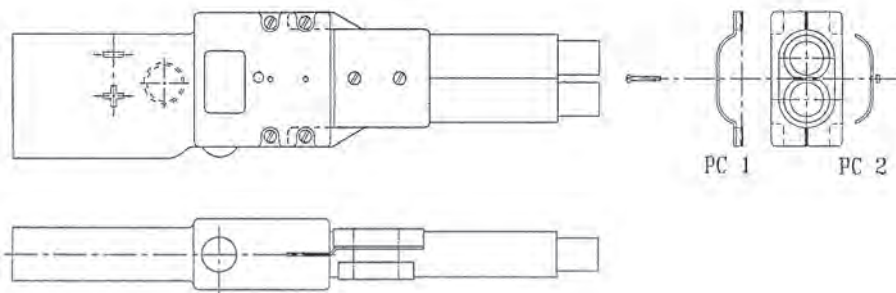
## DC Handle and Strain Relief



### DC Handle and Strain Relief on R65



### DC Strain Relief on R65



The DC Handle and Strain Relief design offers protection for the power connector and provides a convenient hand grip to make engaging and disengaging easier. This helps reduce strain on the connector due to mishandling.

#### Order Information:

##### Strain Relief Kit with Handle:

Part No. — 120012G1G Gray Polycarbonate Plastic

Part No. — 120012G1R Red Polycarbonate Plastic

Part No. — 120012G1M Insulated Non-corrosive Steel Handle