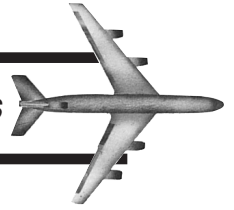

The Anderson Family Ground Power Cable Assemblies



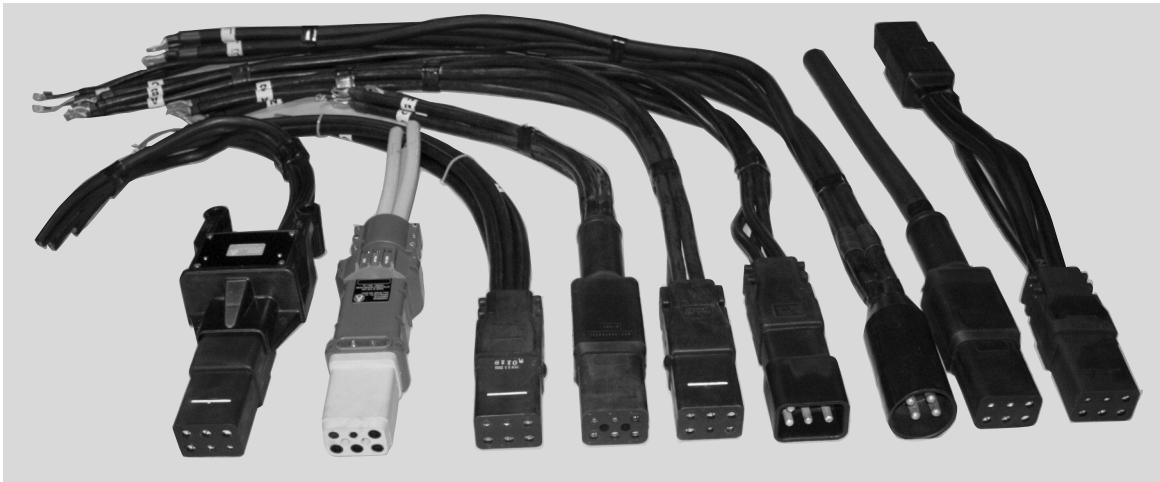
Attachable® and Over Molded Cable Assemblies

Cable assemblies are fabricated to the exacting requirements of MIL-C-7974D. Anderson Airmotive Products is a qualified source of supply for MS25019, MS90328, MS21378, and MS90347 assemblies.

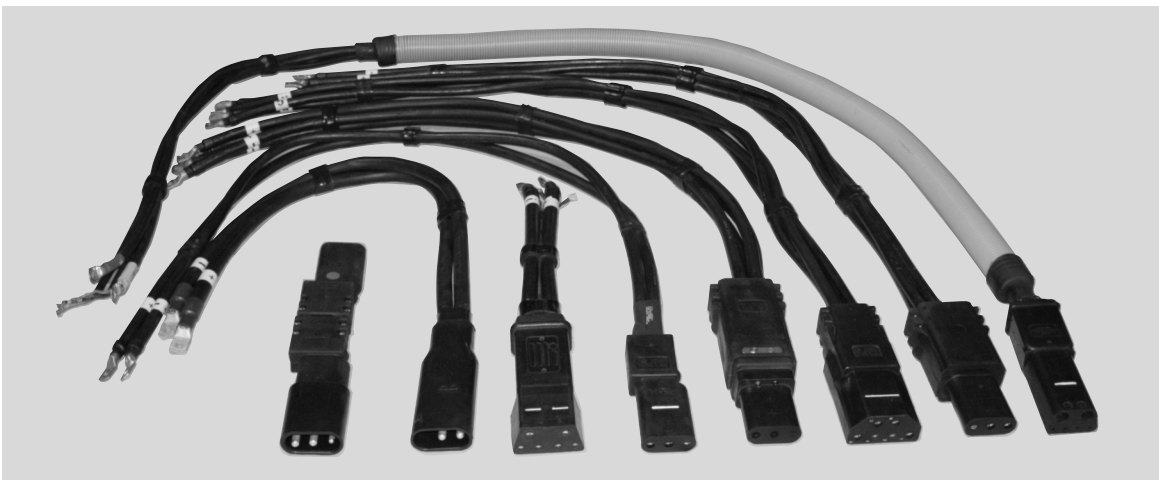
In addition, Anderson can supply special cable configurations or lengths to meet your requirements. Contact the factory or your local Authorized Distributor for additional information.

All Anderson cable assemblies feature silver plated high conductivity contacts with finger proof safety insulators and cable qualified to the latest military specification MIL-C-5756C; Composite Cables are UL listed. Plugs are molded proprietary synthetic elastomer for severe wear and tear applications. All these features insure that our cable assemblies are the safest, most flexible and longest lasting cable assemblies available today.

Our family of power cables is unequalled in the industry. Anderson Airmotive is the only company to offer you a choice of:
(1) making/repairing your own ground power cables with our family of high quality and durable Attachable® plugs, or
(2) buying a wide variety of new cable assemblies with either Attachable® or Overmolded plugs, from the factory.

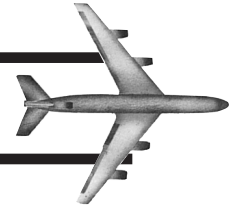


AC output cable assemblies from 110/200 VAC and 230/400VAC to 600V input cable assemblies with quick change Wear noses, EcoNose, Temperature sensing switch plugs with modular components and many cable options.

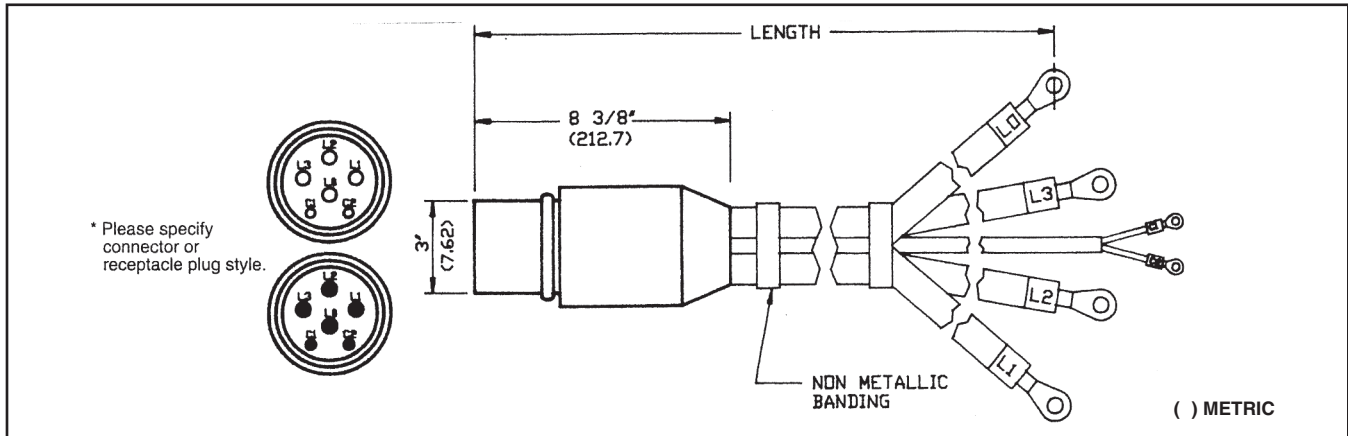


DC output cable assemblies from 28VDC, 80VDC and 270VDC with quick Change Wear Noses, Eco Noses and many cable options.

AC AIRCRAFT GROUND POWER CABLE ASSEMBLIES 6-POLE



RAMP POWER 416/240V



The Ramp Power Connector is used on a variety of military and commercial ground service equipment around the world. The proprietary synthetic elastomer body and silver-plated contacts provide for a safe, reliable connection that is not only moisture and corrosion-resistant, but able to withstand the real-life abuse of everyday usage on the ramp. Accommodates wire sizes from #4 AWG to 4/0 AWG.

Applications include: Hydraulic test stands, motor generators, air conditioning units, 400Hz Frequency Converters

Electrical Ratings: 30°C rise Power Components, 450A Continuous 1500A for 1 minute, Control Components, 35A continuous

G.A.P.P. P/N	LENGTH FEET	LENGTH METERS	CONDUCTOR NO. AND SIZE	SHIP. WT (LBS)	CABLE, BAND & SCHEMATIC
MALE					
833N005020	20	6.10	(4) 1/0, (50mm) (2x3mm)	46	Optional Aux.
833N005030	30	9.14	(4) 1/0, (50mm) (2x3mm)	67	
833N005040	40	12.19	(4) 1/0, (50mm) (2x3mm)	87	
833N005060	60	18.29	(4) 1/0, (50mm) (2x3mm)	127	
833N005080	80	24.38	(4) 1/0, (50mm) (2x3mm)	168	
833N005100	100	30.48	(4) 1/0, (50mm) (2x3mm)	208	
833N036020	20	6.10	(4) 2/0, (70mm) (2x3mm)	56	
833N036030	30	9.14	(4) 2/0, (70mm) (2x3mm)	84	
833N036040	40	12.19	(4) 2/0, (70mm) (2x3mm)	110	
833N036060	60	18.29	(4) 2/0, (70mm) (2x3mm)	162	
833N036080	80	24.38	(4) 2/0, (70mm) (2x3mm)	213	
833N036100	100	30.48	(4) 2/0, (70mm) (2x3mm)	265	
FEMALE					
834N005020	20	6.10	(4) 1/0, (50mm) (2x3mm)	50	
834N005030	30	9.14	(4) 1/0, (50mm) (2x3mm)	71	
834N005040	40	12.19	(4) 1/0, (50mm) (2x3mm)	93	
834N005060	60	18.29	(4) 1/0, (50mm) (2x3mm)	137	
834N005080	80	24.38	(4) 1/0, (50mm) (2x3mm)	180	
834N005100	100	30.48	(4) 1/0, (50mm) (2x3mm)	224	
834N036020	20	6.10	(4) 2/0, (70mm) (2x3mm)	60	
834N036030	30	9.14	(4) 2/0, (70mm) (2x3mm)	88	
834N036040	40	12.19	(4) 2/0, (70mm) (2x3mm)	116	
834N036060	60	18.29	(4) 2/0, (70mm) (2x3mm)	172	
834N036080	80	24.38	(4) 2/0, (70mm) (2x3mm)	226	
834N036100	100	30.48	(4) 2/0, (70mm) (2x3mm)	281	