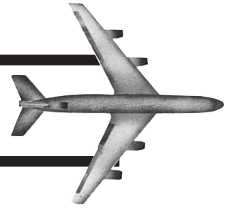


# AC PLUG ATTACHABLE® POWER NOSE 6-POLE

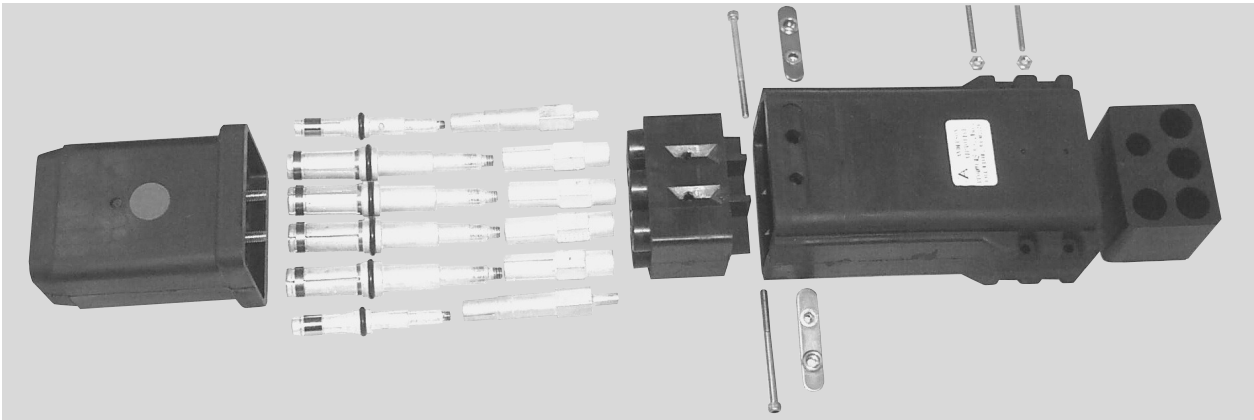


## Attachable Power Nose® (APN) R90: Rubber

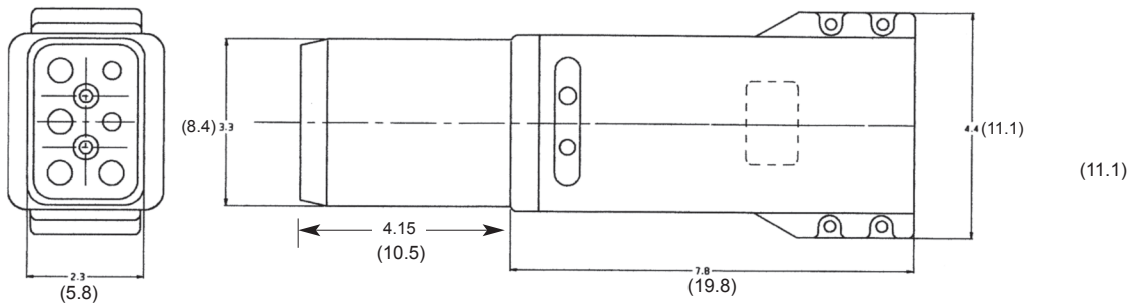
The Attachable® Power Nose is designed to be the quickest assembly and lowest overall service ground power connector. The modular construction allows easy replacement of worn components (contacts,

nose, back end) for extended service life and quick repair. The body and nose are molded from the proprietary synthetic elastomer known for its excellent abrasion resistance. Suitable for composite cables.

® Attachable is a registered Trademark of Anderson Airmotive



Electrical Ratings: 30°C rise Power Components, 450A Continuous 1500A for 1 minute, Control Components, 35A continuous



## 6-Pole 115/200V 400Hz Attachable® Power Nose (APN) R90

Complete Plug No.	Replacement Nose only	Cable Accommodation	Replacement Lug Contact Kit
R90G5E	R90KIT 1	4-1/0 (50mm) MIL-C-5756C Single Conductors; #12/2 (2x3mm) Aux.	R90 Kit 2-1 1/0 Power
R90G36E	R90KIT 1	4-2/0 (70mm) MIL-C-5756C Single Conductors; #12/2 (2x3mm) Aux.	R90 Kit 2-2 2/0 Power
R90G101E	R90KIT 1	6 #4 (20mm), 1-1/0 (50mm) Multiconductor; 6X1 Single Jacket	R90 Kit 2-3 # 4 Power
R90G118E	R90KIT 1	4-70mm Single Conductors; #12/2 (2x3mm) Aux	R90 Kit 3 Aux
	R90KIT1SW	Replacement Nose with Microswitch	